

# LIFECYCLE® GX GROUP CYCLE BIKE

GEC-ALLX-01, GEC-ALLX-02 and GEH-ALLXX-02

## PARTS MANUAL

01.27.14



# Table of Contents

---

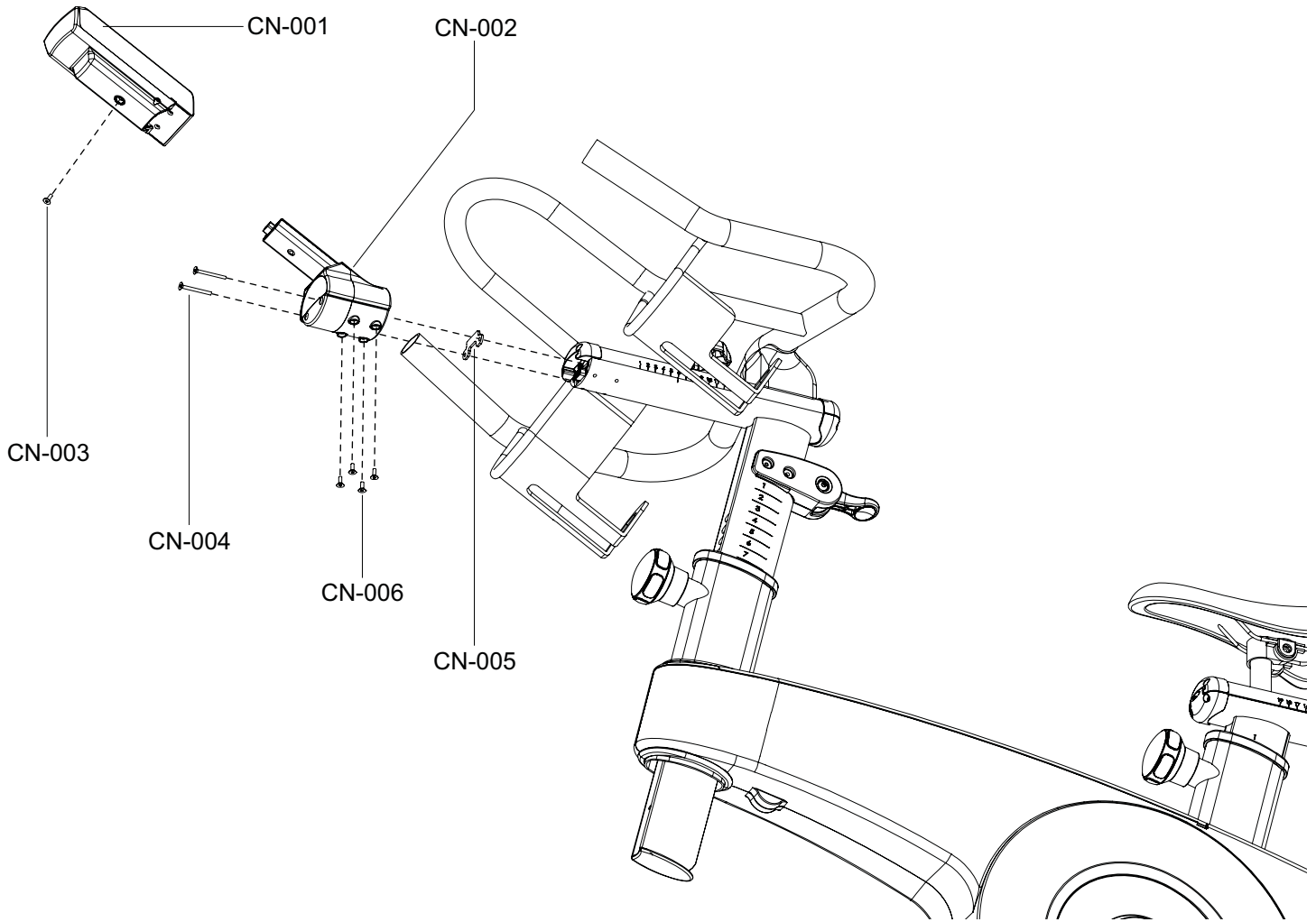
Console Assembly (CN)	3
Base Electronics (BE)	4
Cable Management (CM)	5
Drive System (DS)	6
Drive Belt and Crankshaft Assembly	
Flywheel and Hub Assembly	7
Idler Assembly	8
Handlebar Mechanism (HM)	9
Shrouds, Covers, and Gaskets (SC)	10
Stabilizer Assembly (SA)	11
Seat Mechanism (SM)	12
Wiring	14

## Miscellaneous

Item	Alpha Code	Part Number	Description
MISC-001	GEB, GED, GEH	0017-00008-0204	Arctic Silver Touch-Up Paint: Aerosol Spray Can
MISC-002	GEB, GED, GEH	0017-00008-0205	Arctic Silver Touch-Up Paint: 0.5 Oz. Bottle w/Applicator

# Console Assembly (CN)

## Exploded View

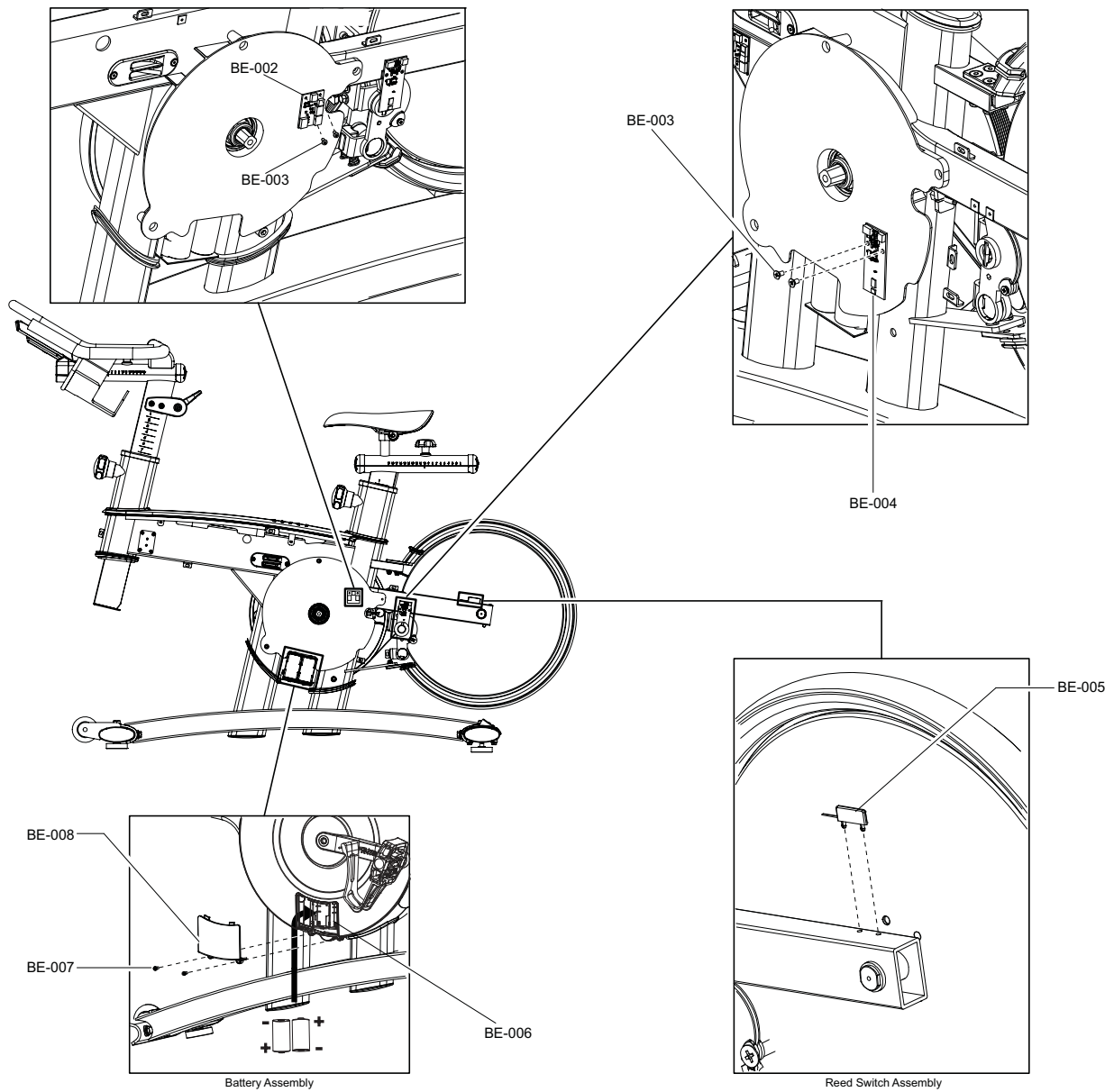


## Parts List

Item	Alpha Code	Part Number	Description
CN-001	GEB, GED, GEE, GEH	GECLCD-ALLXX-02	Console Assembly (includes items with *)
CN-002	GEB, GED, GEE, GEH	9366101	Console Support Bracket *
CN-003	GEB, GED, GEE, GEH	9079401	Screw (1) *
CN-004	GEB, GED, GEE, GEH	9366201	Screw (2) *
CN-005	GEB, GED, GEH	9068401	Slide Limiter Plate
CN-006	GEB, GED, GEE, GEH	9366301	Screw (4) *

# Base Electronics (BE)

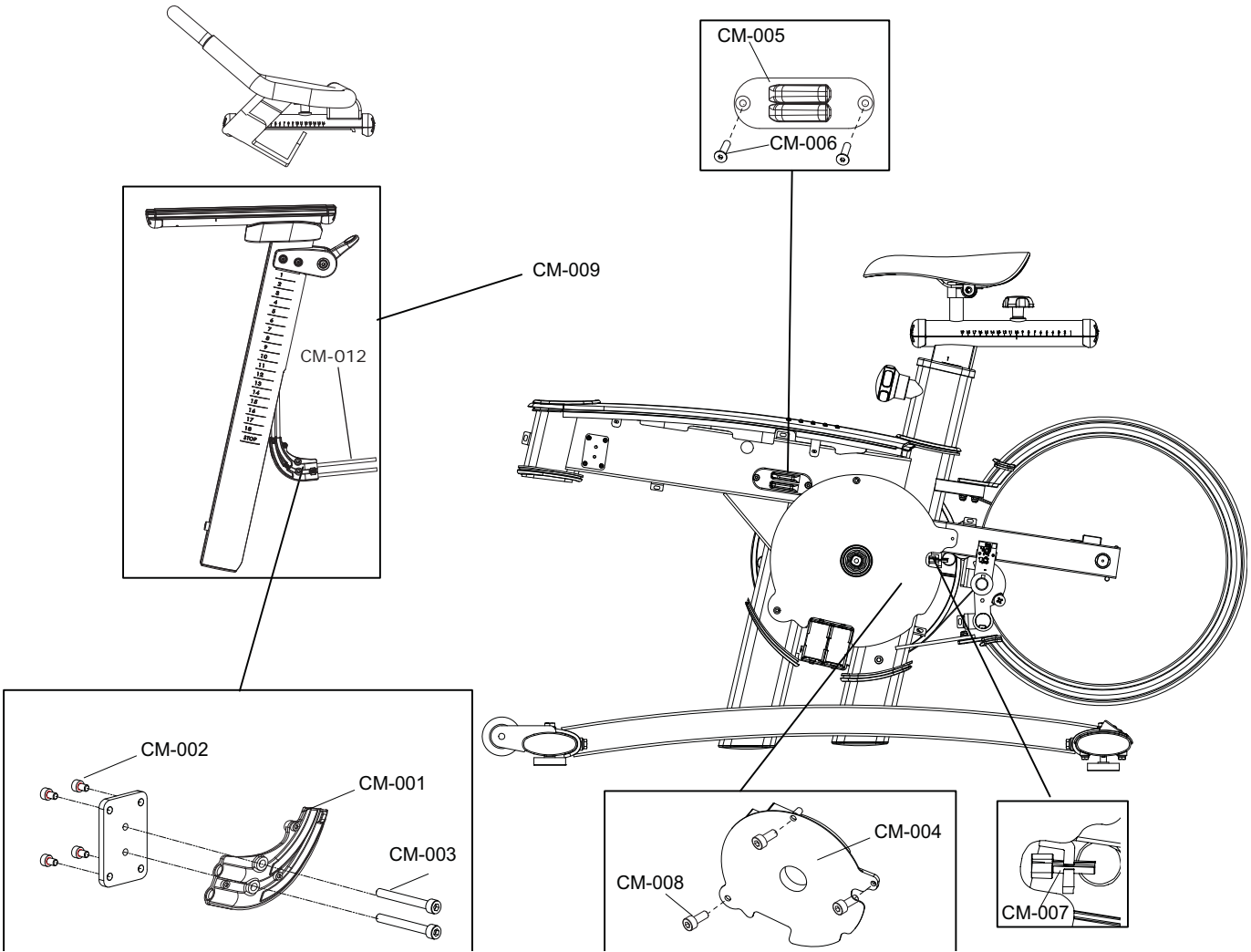
## Exploded View



## Parts List

Item	Alpha Code	Part Number	Description
BE-002	GEB, GED, GEH	9479801	Junction Board
BE-003	GEB, GED, GEH	9094401	Screw (2)
BE-004	GEB, GED, GEH	9096801	PCB Sensor Board
BE-005	GEB, GED, GEH	9079501	Reed Switch Module Assembly
BE-006	GEB, GED, GEH	9096901	Battery Box <i>(includes wire)</i>
BE-007	GEB, GED, GEH	9095301	Screw (2)
BE-008	GEB, GED, GEH	9075201	Battery Cover

# Cable Management (CM)



## Parts List

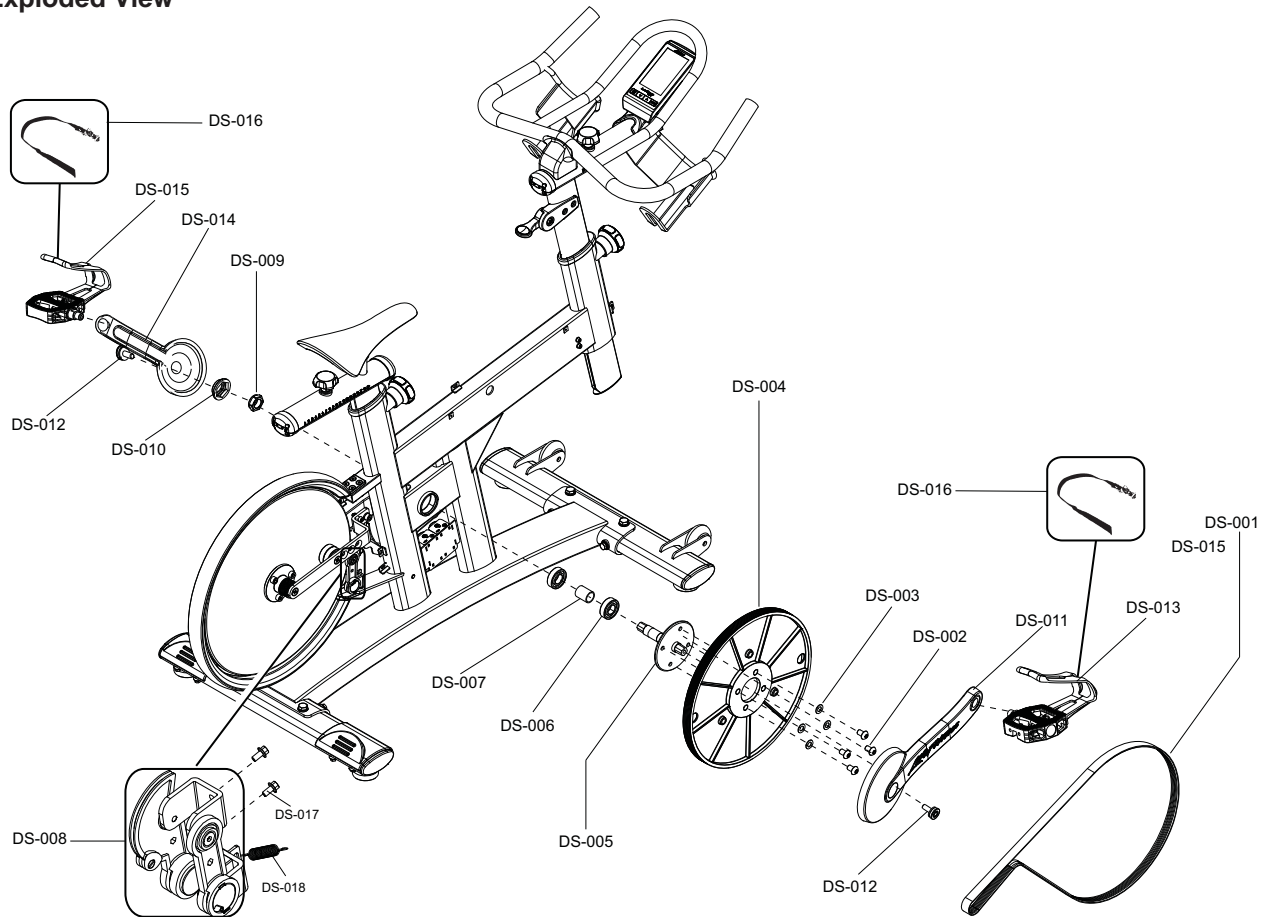
Item	Alpha Code	Part Number	Description
CM-001	GEB, GED, GEH	9177301	Cable Guide Assembly
CM-002	GEB, GED, GEH	9093701	Screw (4)
CM-003	GEB, GED, GEH	9176601	Screw (2)
CM-004	GEB, GED, GEH	9088901	Cable Shield
CM-005	GEB, GED, GEH	9073201	Cable Exit
CM-006	GEB, GED, GEH	9176501	Screw (2)
CM-007	GEB, GED, GEH	9088801	Brake Cable Adjustment Nut
CM-008	GEB, GED, GEH	9095301	Screw (3)
CM-009	GEB, GED, GEH	9171201	Handlebar Post / Cable Assembly
CM-010*	GEH,	9307901	Consumer Lock Out Cable
CM-011*	GEH	9308001	Consumer Lock Out Lock
CM-012	GEB, GED, GEH	9345901	Mechanical Brake Cable

\* Items not shown in image

# Drive System (DS)

## Drive Belt and Crankshaft Assembly

Exploded View

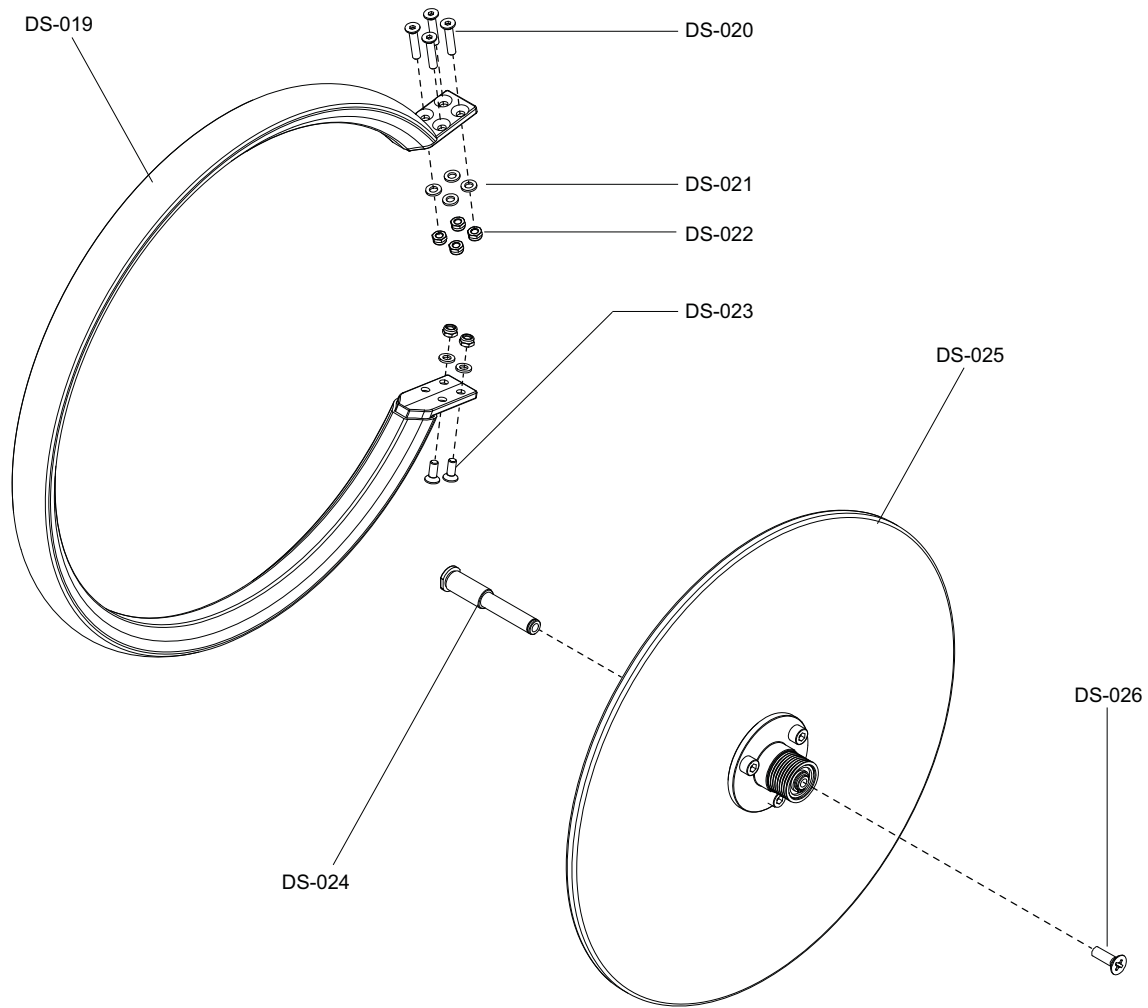


### Parts List

Item	Alpha Code	Part Number	Description
DS-001	GEB, GED, GEH	9073301	Poly V Belt
DS-002	GEB, GED, GEH	9094001	Screw (4)
DS-003	GEB, GED, GEH	9093901	Washer (4)
DS-004	GEB, GED, GEH	9072301	Drive Pulley
DS-005	GEB, GED, GEH	9083101	Crankshaft Weldment
DS-006	GEB, GED, GEH	9071601	Crankshaft Bearing (2)
DS-007	GEB, GED, GEH	9072101	Crank Bearing Spacer
DS-008	GEB, GED, GEH	9073401	Magnetic Brake Assembly
DS-009	GEB, GED, GEH	9087801	Crankshaft Nut
DS-010	GEB, GED, GEH	9087901	Crankshaft Nut Cover
DS-011	GEB, GED, GEH	9173901	Crank Arm (Right)
DS-012	GEB, GED, GEH	9072201	Crank Bolt (2)
DS-013	GEB, GED, GEH	9097601	Right Pedal Assembly ( <i>includes straps</i> )
DS-014	GEB, GED, GEH	9072401	Crank Arm (Left)
DS-015	GEB, GED, GEH	9097501	Left Pedal Assembly ( <i>includes straps</i> )
DS-016	GEB, GED, GEH	9171301	Pedal Strap ( <i>pair</i> )
DS-017	GEB, GED, GEH	9177201	Bolt (2)
DS-018	GEB, GED, GEH	9098301	Magnetic Brake Spring

# Flywheel and Hub Assembly

## Exploded View

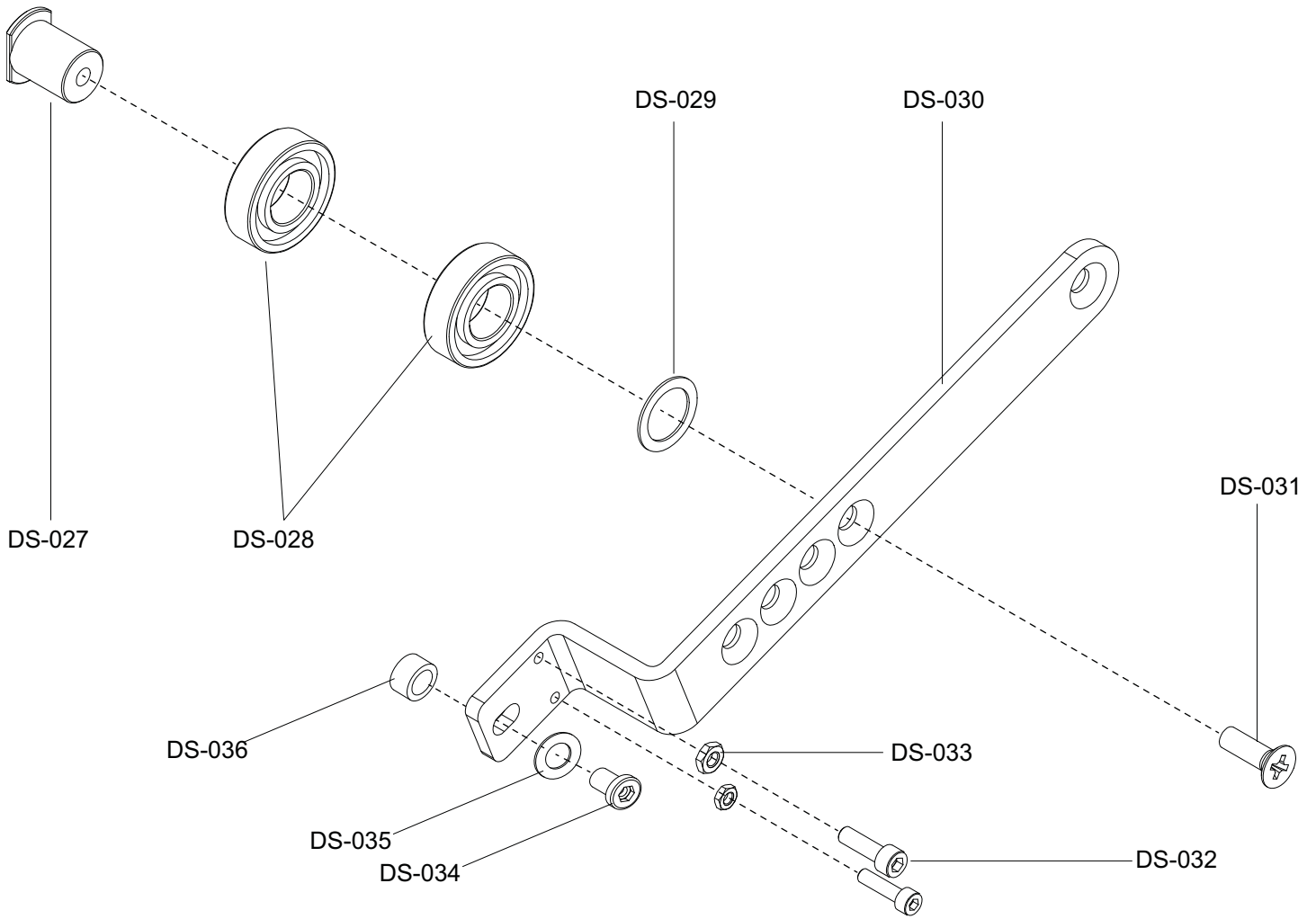


## Parts List

Item	Alpha Code	Part Number	Description
DS-019	GEB, GED, GEH	9066701	Flywheel Guard
DS-020	GEB, GED, GEH	9091901	Bolt (4)
DS-021	GEB, GED, GEH	9096501	Washer (4)
DS-022	GEB, GED, GEH	9096401	Nut (4)
DS-023	GEB, GED, GEH	9091801	Bolt (2)
DS-024	GEB, GED, GEH	9071301	Flywheel Axle
DS-025	GEB, GED, GEH	9070801	Flywheel Assembly - <i>(includes flywheel axle and screw)</i>
DS-026	GEB, GED, GEH	9095101	Screw

# Idler Assembly

## Exploded View



## Parts List

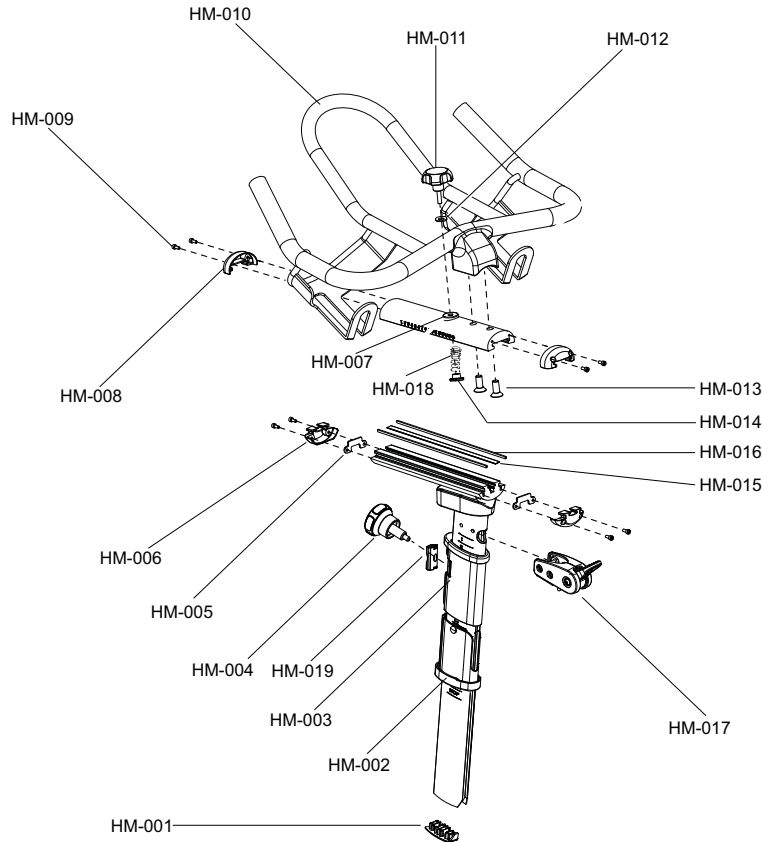
Item	Alpha Code	Part Number	Description
DS-027	GEB, GED, GEH	9071501	Idler Shaft
DS-028	GEB, GED, GEH	9071601	Idler Bearing (2)
DS-029	GEB, GED, GEH	9091201	Washer
DS-030	GEB, GED, GEH	9071701	Idler and Flywheel Support Arm
DS-031	GEB, GED, GEH	9095101	Screw
DS-032	GEB, GED, GEH	9175601	Bolt (2)
DS-033	GEB, GED, GEH	9175501	Nut (2)
DS-034	GEB, GED, GEH	9091001	Screw
DS-035	GEB, GED, GEH	9175701	Washer
DS-036	GEB, GED, GEH	9084901	Spacer



# Handlebar Mechanism (HM)

## Console Support and Handlebars

Exploded View

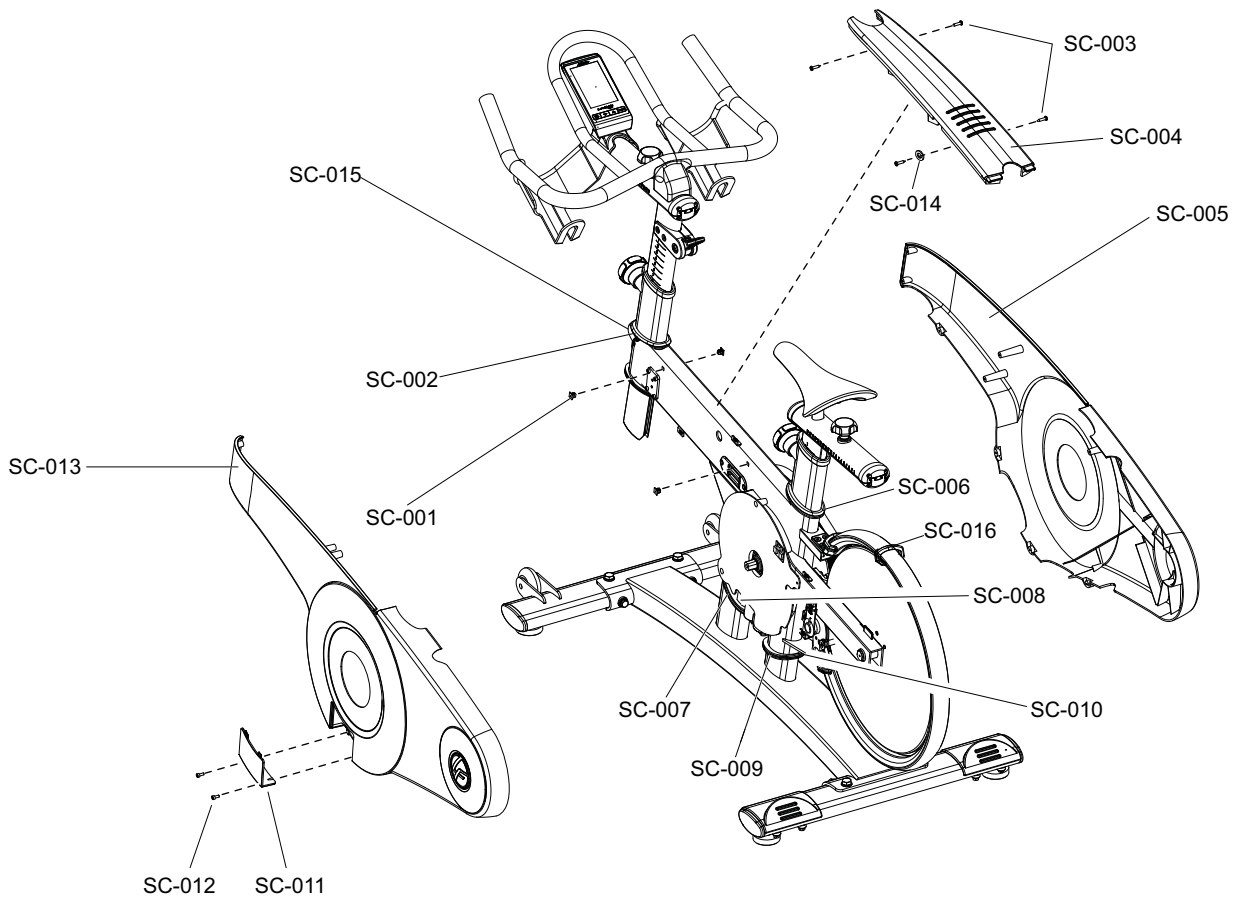


### Parts List

Item	Alpha Code	Part Number	Description
HM-001	GEB, GED, GEH	9086401	Handlebar Post Bottom End Cap
HM-002	GEB, GED, GEH	9072801	Lower Sleeve
HM-003	GEB, GED, GEH	9072501	Upper Sleeve
HM-004	GEB, GED, GEH	9073101	Handlebar Vertical Adjustment Knob
HM-005	GEB, GED, GEH	9068401	Slide Limiter Plate (2)
HM-006	GEB, GED, GEH	9068201	Slider Bottom End Cap (2)
HM-007	GEB, GED, GEH	9083001	Handlebar Top Slider
HM-008	GEB, GED, GEH	9068301	Top Slider End Cap (2)
HM-009	GEB, GED, GEH	9095301	Screw (8)
HM-010	GEB, GED, GEH	9068701	Handlebar Dipped Weldment
HM-011	GEB, GED, GEH	9069201	Handlebar Slider Adjustment Knob
HM-012	GEB, GED, GEH	9095601	Washer
HM-013	GEB, GED, GEH	9095501	Screw (2)
HM-014	GEB, GED, GEH	9072602	Handlebar Slider T-Nut
HM-015	GEB, GED, GEH	9086301	Handlebar Electrical Cable Cover
HM-016	GEB, GED, GEH	9082701	Handlebar Glide Strip (2)
HM-017	GEB, GED, GEH	9177401	Brake Lever Assembly
HM-018	GEB, GED, GEH	9085201	T-Nut Spring
HM-019	GEB, GED, GEH	9073001	Handlebar Clamp ( <i>puck</i> )

# Shrouds, Covers and Gaskets (SC)

## Exploded View

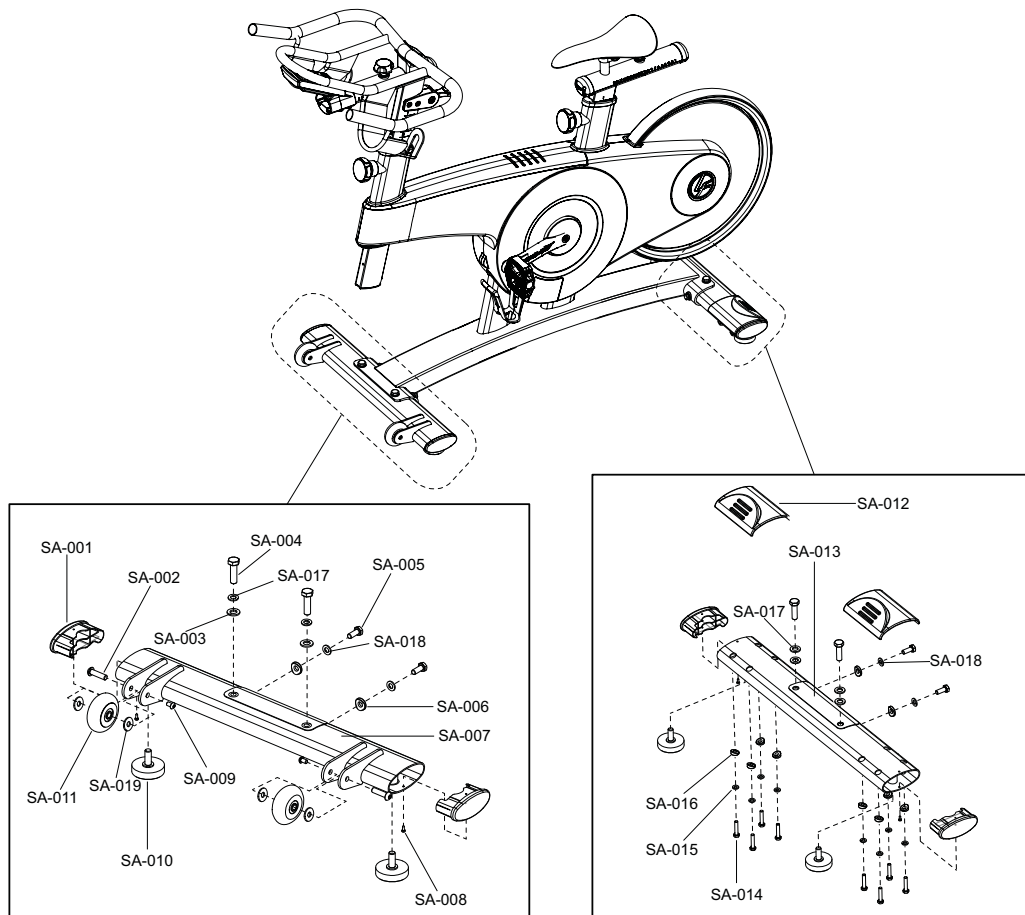


## Parts List

Item	Alpha Code	Part Number	Description
SC-001	GEB, GED, GEH	9084701	Shroud and PCB Grommet
SC-002	GEB, GED, GEH	9076001	Upper Handlebar Tube Gasket
SC-003	GEB, GED, GEH	9094401	Screw (4)
SC-004	GEB, GED, GEH	9075301	Top Shroud
SC-005	GEB, GED, GEH	9098201	Right Shroud Assembly (includes items with *)
SC-006	GEB, GED, GEH	9075901	Seat Tube Ring (Upper)
SC-007	GEB, GED, GEH	9098001	Foot Tube Gasket (Left) **
SC-008	GEB, GED, GEH	9097901	Foot Tube Gasket (Right) *
SC-009	GEB, GED, GEH	9097701	Lower Seat Tube Gasket (Left) **
SC-010	GEB, GED, GEH	9097801	Lower Seat Tube Gasket (Right) *
SC-011	GEB, GED, GEH	9075201	Battery Cover
SC-012	GEB, GED, GEH	9095301	Screw (16)
SC-013	GEB, GED, GEH	9098101	Left Shroud Assembly (includes items with **)
SC-014	GEB, GED, GEH	9177501	Washer (4)
SC-015	GEB, GED, GEH	9075401	Front Top Cover
SC-016	GEB, GED, GEH	9075801	Flywheel Guard Gasket

# Stabilizer Assembly (SA)

## Exploded View

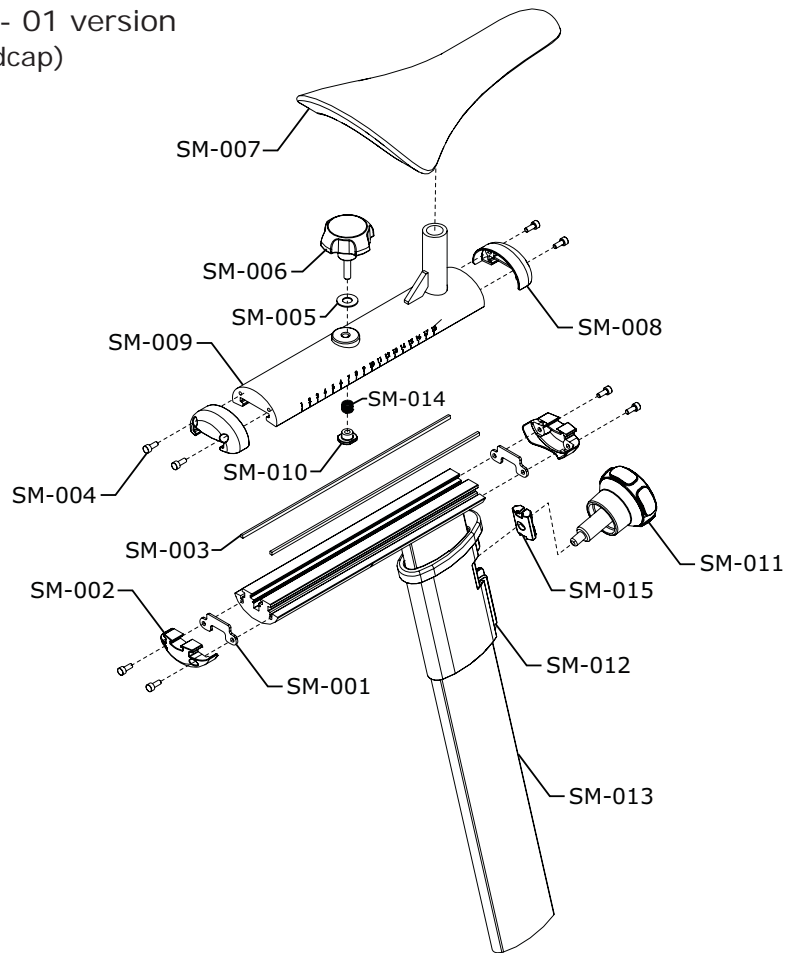


## Parts List

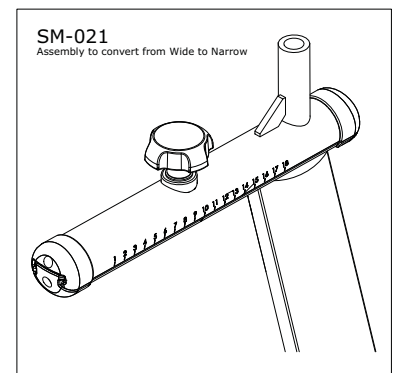
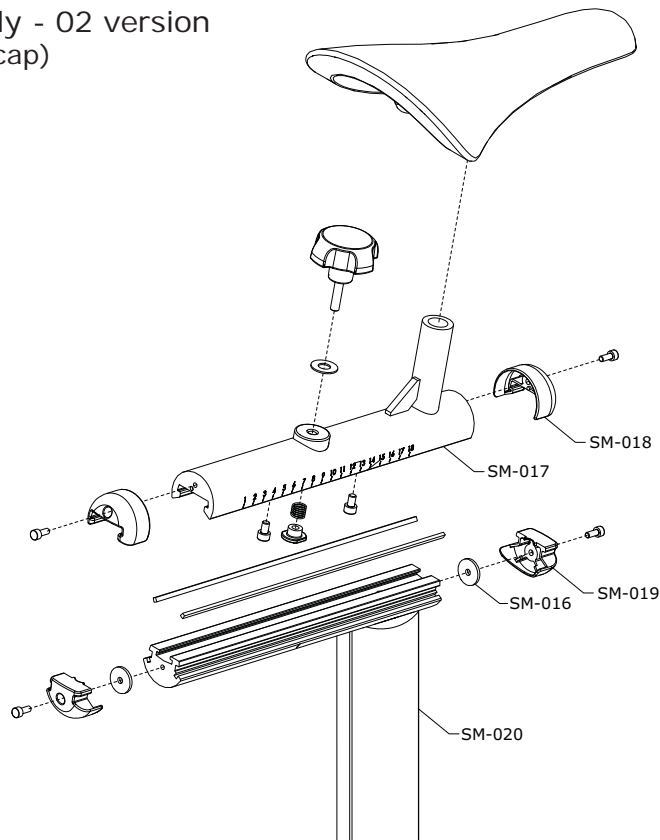
Item	Alpha Code	Part Number	Description
SA-001	GEB, GED, GEH	9076701	Stabilizer End Cap (4)
SA-002	GEB, GED, GEH	9176801	Wheel Axle (2)
SA-003	GEB, GED, GEH	9175901	Washer (2)
SA-004	GEB, GED, GEH	9176101	Bolt (2)
SA-005	GEB, GED, GEH	9094501	Bolt (2)
SA-006	GEB, GED, GEH	9077501	Molded Washer (2)
SA-007	GEB, GED, GEH	9076201	Front Stabilizer Weldment
SA-008	GEB, GED, GEH	9094401	Screw (2)
SA-009	GEB, GED, GEH	9089501	Screw (2)
SA-010	GEB, GED, GEH	9076901	Leveler (4)
SA-011	GEB, GED, GEH	9076801	Front Stabilizer Wheel (2)
SA-012	GEB, GED, GEH	9077301	Stretch Platform (2)
SA-013	GEB, GED, GEH	9077101	Rear Stabilizer Weldment
SA-014	GEB, GED, GEH	9094301	Bolt (8)
SA-015	GEB, GED, GEH	9176201	Washer (8)
SA-016	GEB, GED, GEH	9077401	Stretch Platform Washer (8)
SA-017	GEB, GED, GEH	9176001	Washer (4)
SA-018	GEB, GED, GEH	9088601	Washer (4)
SA-019	GEB, GED, GEH	9088601	Washer (4)

# Seat Mechanism (SM)

Wide Post Assembly - 01 version  
(Uses 2 screws per endcap)



Narrow Post Assembly - 02 version  
(Uses 1 screw per endcap)



# Seat Mechanism (SM)

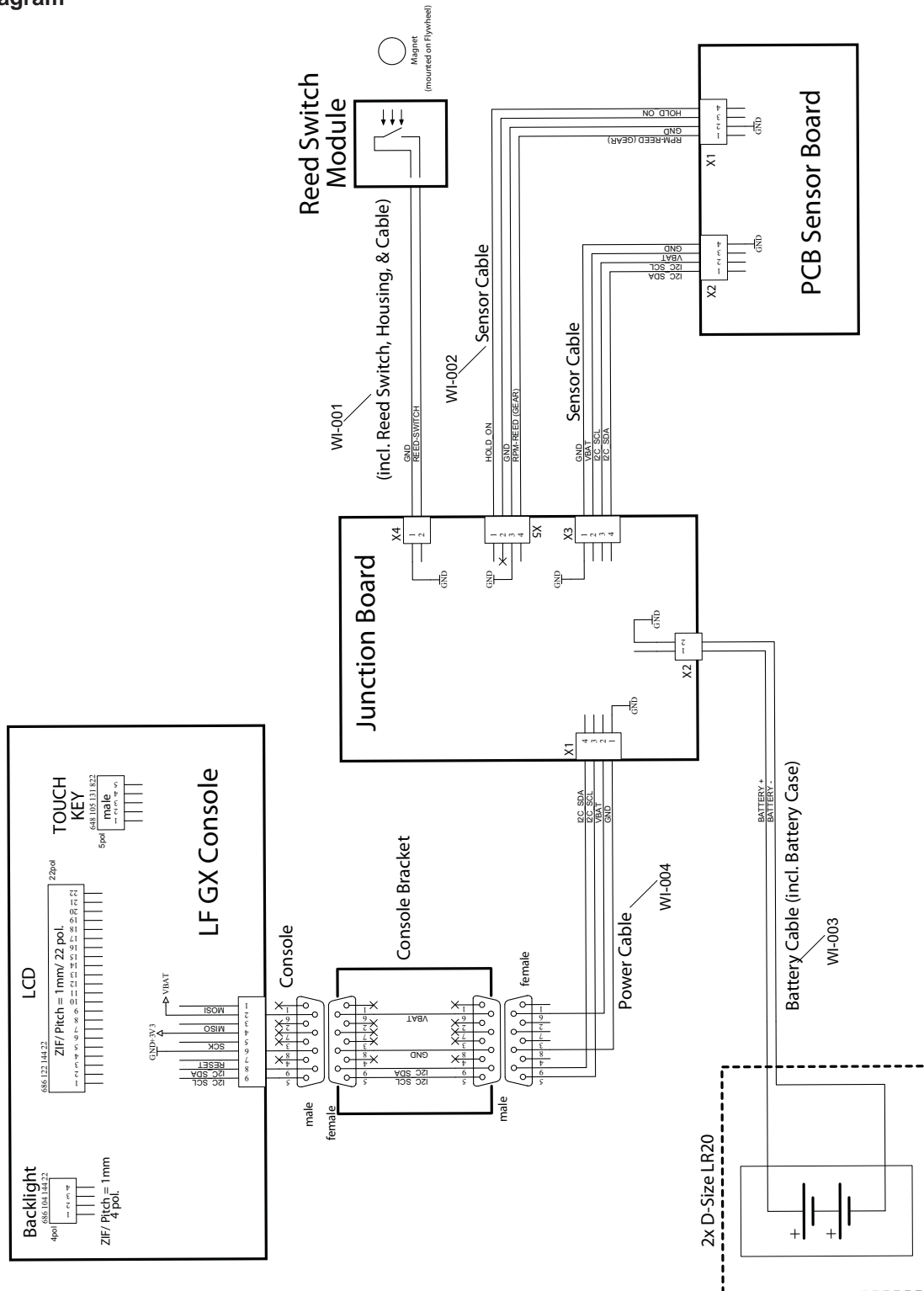
---

## Parts List

Item	Alpha Code	Part Number	Description
SM-001	GEB	9068401	Slide Limiter Plate (2)
SM-002	GEB	9068201	Slider Bottom End Cap (2)
SM-003	GEB, GED, GEH	9068501	Seat Glide Strip (2)
SM-004	GEB, GED, GEH	9095301	Screw (8)
SM-005	GEB, GED, GEH	9095601	Washer
SM-006	GEB, GED, GEH	9069201	Seat Slider Adjustment Knob
SM-007	GEB, GED, GEH	9097401	Saddle Assembly
SM-007	GEB, GED, GEH	GECWS-ALLXX-01	Wide Saddle Assembly
SM-008	GEB	9068301	Slider Top End Cap (2)
SM-009	GEB	9177901	Seat Upper Slider
SM-010	GEB, GED, GEH	9085101	Seat Slider T-Nut
SM-011	GEB, GED, GEH	9073101	Vertical Adjust Knob
SM-012	GEB, GED, GEH	9072501	Seat Post Sleeve
SM-013	GEB	9067401	Seat Post Weldment
SM-014	GEB, GED, GEH	9085201	T-Nut Spring
SM-015	GEB, GED, GEH	9073001	Seat Post Clamp ( <i>puck</i> )
SM-016	GED, GEH	9238001	Slide Limiter Washer (2)
SM-017	GED, GEH	9237501	Seat Upper Slider Narrow
SM-018	GED, GEH	9237901	Slider Top End Cap Narrow
SM-019	GED, GEH	9237801	Slider Bottom End Cap Narrow
SM-020	GED, GEH	9237201	Seat Post Weldment Narrow
SM-021	GEB	9237101	Seat Post/Slider Assembly Narrow

# Wiring

## Wiring Diagram



### Parts List

Item	Alpha Code	Part Number	Description
W1-001	GEB, GED, GEH	9079501	Reed Switch, Housing, & Cable
W1-002	GEB, GED, GEH	9096701	Sensor Cable (2)
W1-003	GEB, GED, GEH	9096901	Battery Cable ( <i>includes Battery Case</i> )
W1-004	GEB, GED, GEH	9086501	Power Cable

**Life Fitness World Headquarters  
5100 N. River Rd.  
Schiller Park, IL, USA 60176  
[www.lifefitness.com](http://www.lifefitness.com)  
847-288-3300**

**© 2013 Life Fitness, a division of Brunswick Corporation. All rights reserved.**